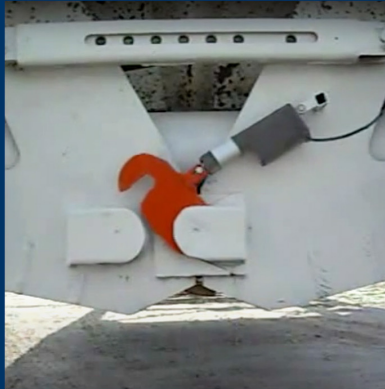


JAC **LOC**

Secure

Fast

Safe



Installation Manual

JAC-LOC™ COMPLETE SYSTEM INSTALLATION PROCEDURES

JAC-LOC™ MANUAL ONLY INSTALLATION PROCEDURES

OPERATING INSTRUCTIONS

MAINTENANCE

TERMS & CONDITIONS

Please read entire manual prior to installation.

Proper installation is the responsibility of the installer.

For questions or installation assistance email us at
customerservice@jac-loc.com

SAFETY INSTRUCTIONS & WARNINGS

OPERATING GATES ARE INHERENTLY DANGEROUS.

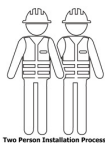
WHEN INSTALLING JAC-LOC, BE AWARE OF ALL SAFETY PRECAUTIONS FOR OPERATING GATES.

AT NO TIME IS IT REQUIRED THAT ANY PART OF YOUR BODY BE INSIDE THE GATES DURING INSTALLATION.

YOU ARE RESPONSIBLE FOR YOUR OWN SAFETY DURING INSTALLATION AND OPERATION OF JAC-LOC.

GATES MUST BE IN GOOD WORKING ORDER AND IN THE CLOSED POSITION WITH AIR PRESSURE AT PROPER WORKING PSI TO ENSURE PROPER POSITIONING.

FOLLOW INSTRUCTIONS TO ENSURE PROPER WORKING ORDER OF YOUR NEW JAC-LOC.




WE RECOMMEND THAT THERE ARE ALWAYS TWO PEOPLE PRESENT AT ALL TIMES DURING INSTALLATION.



WIRING FOR THE ACTUATOR SHOULD BE DONE BY A QUALIFIED PERSON. WIRING SHOULD BE ARRANGED TO PREVENT HANGING UP ON EXISTING EQUIPMENT. IT IS RECOMMENDED THAT JAC-LOC WIRING BE RUN SEPARATE FROM OTHER EQUIPMENT SUCH AS AUTOMATIC TARPS.



SOME WELDING IS REQUIRED AND SHOULD BE DONE BY A QUALIFIED WELDER.

 **Warning**


Close JAC-LOC before loading trailer.
Do not open gates with lock closed.
Open JAC-LOC before opening gates.
STAND CLEAR OF GATES.

 **Warning** 

Never put hand or fingers inside JAC-LOC

 **Warning** 

Do not operate by hand
Always use actuators

 **Warning**

If you cannot open JAC-LOC:
Make sure gates have been switched to closed position.
Remove any debris using tools, never put fingers in JAC-LOC.
Retry opening JAC-LOC, If it still does not open...
Get assistance from another person.
If using Electronic Actuator, remove Electronic Actuator.
Install Manual Actuator.
Tap up on bottom of hook with a hammer while your assistant pulls on the Manual Actuator.
Always use actuators provided to actuate device.

 **Warning** 

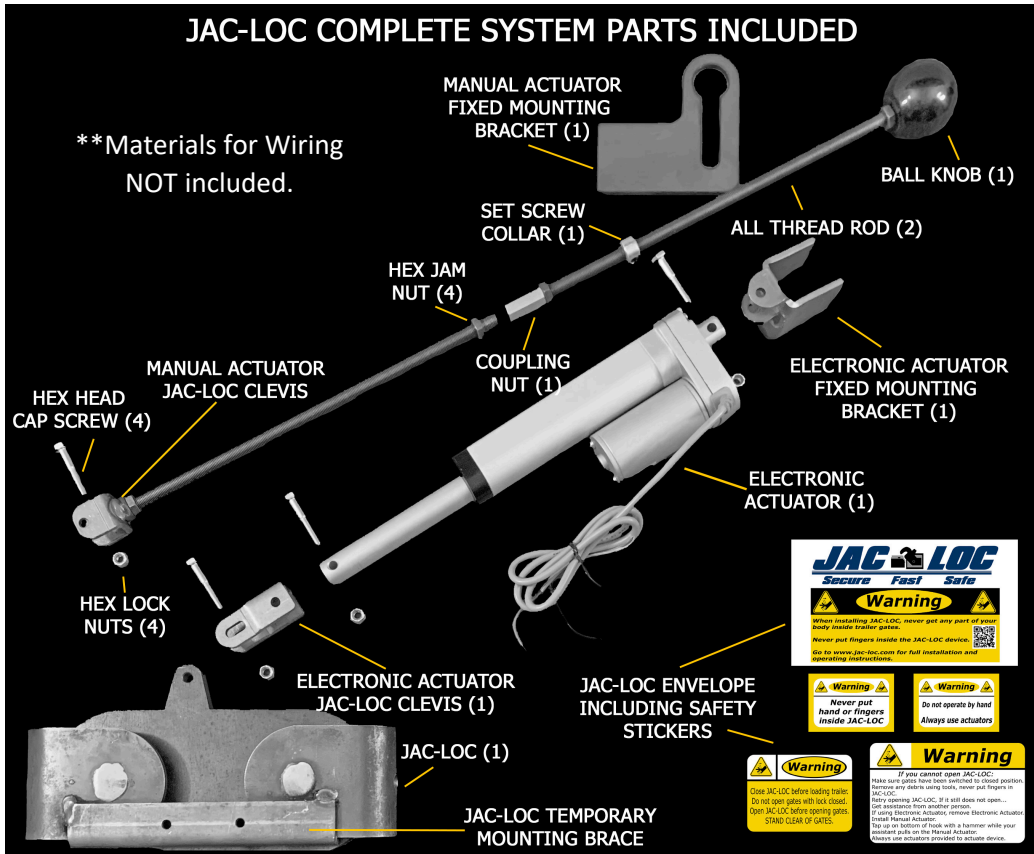
When installing JAC-LOC, never get any part of your body inside trailer gates.

Never put fingers inside the JAC-LOC device.

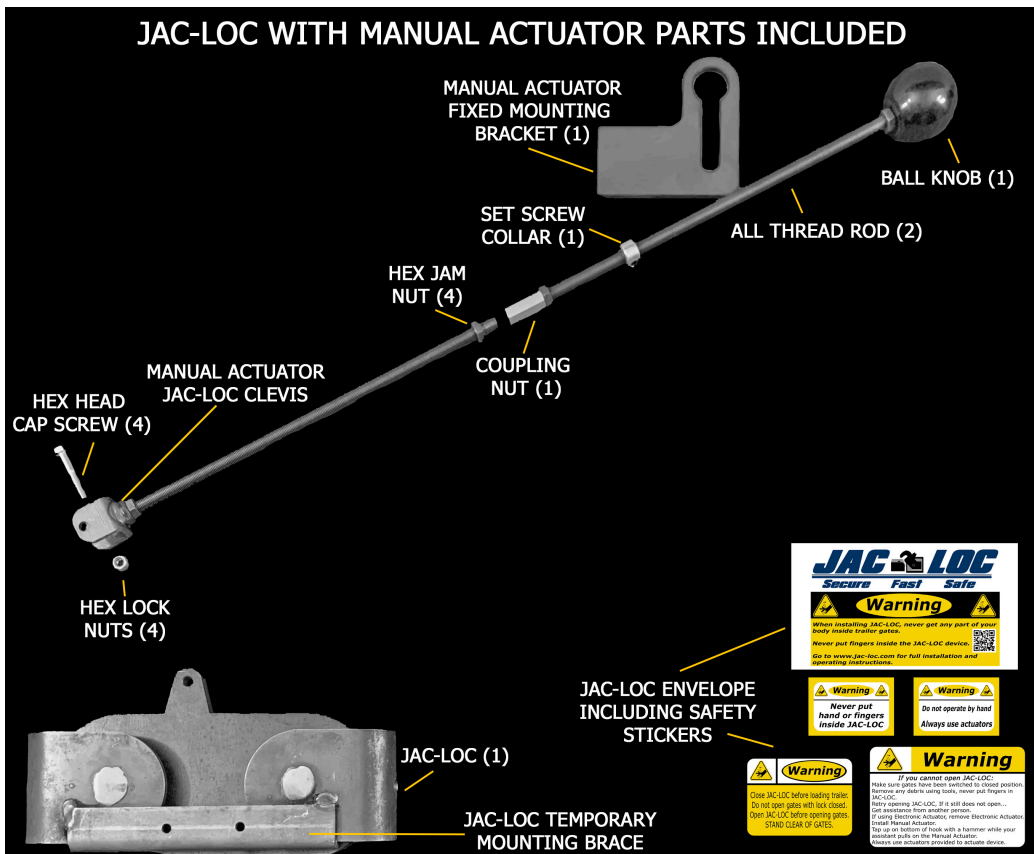


Go to www.jac-loc.com for full installation and operating instructions.

JAC-LOC COMPLETE SYSTEM PARTS INCLUDED



JAC-LOC WITH MANUAL ACTUATOR PARTS INCLUDED



You must have clearance between dump gates and the air cylinder.

2 Inches is the recommended minimum. Actuator and JAC-LOC damage may occur if any less.



This photo shows gates are not fully closed.

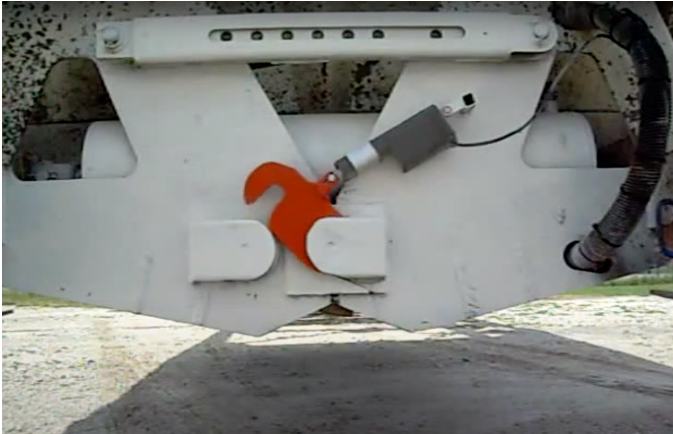


Gates, pins, and bushings must be in good working order. Gates must be aligned. Gates must be closed completely. Do not weld on the lock unless gates are closed, and operating air pressure is applied to cylinders.

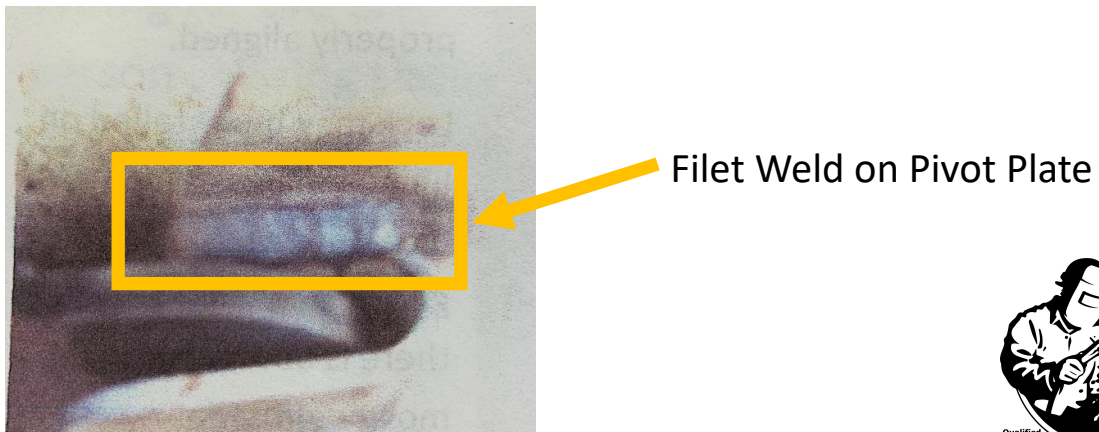
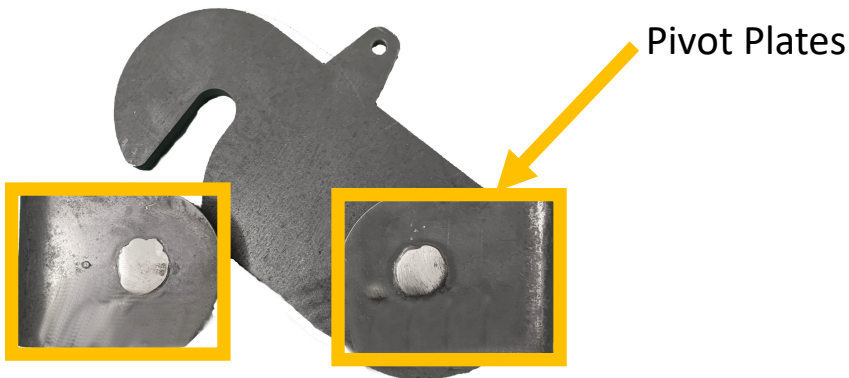


Installing the lock will take your welder about 1 hour or less depending on your gate and cylinder location. Some trailers have cylinders inside the dump gates. If this is your application, installation should take about 30 minutes.

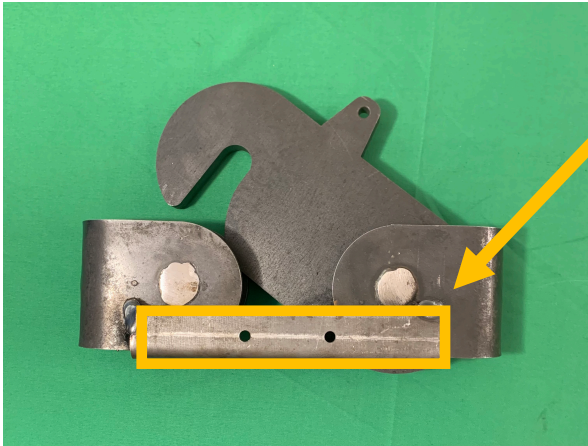
JAC-LOC may be installed on line-up plates if you have clearance or above on gates. Install JAC-LOC where there is access for the most weld area.



All **edge** surfaces of the pivot plates touching the gate should be welded. This is about 11 inches of weld for each half of the JAC-LOC. $\frac{1}{4}$ " fillet weld will be enough or more if desired.



JAC-LOC comes with a temporary brace to be removed after the lock has been tack welded in place.



Temporary Brace

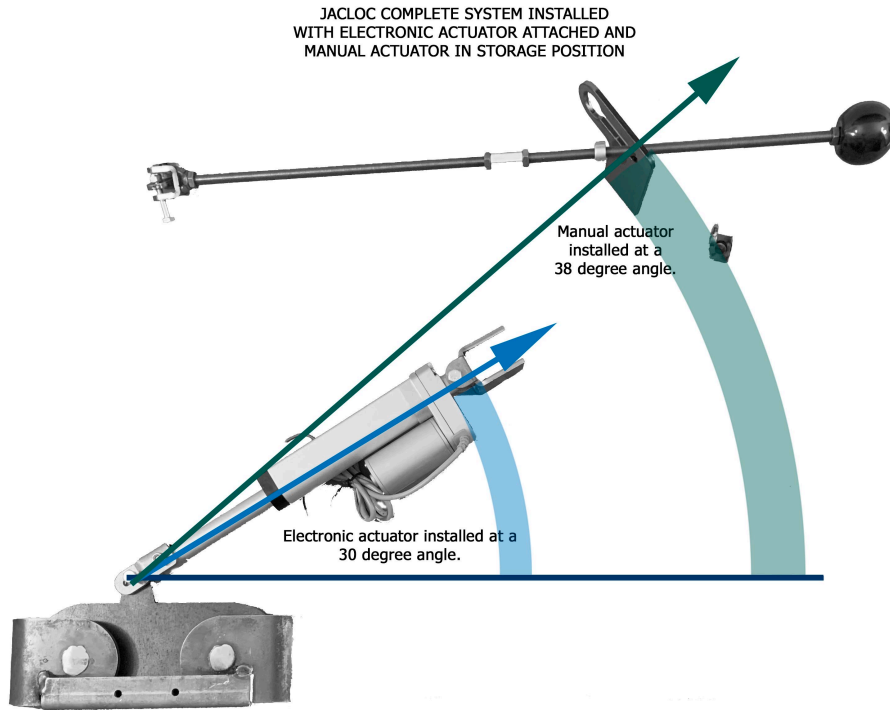
When you remove this brace, cut it in half between the holes.

These two pieces will be used as hanging brackets for the actuators when not in use.

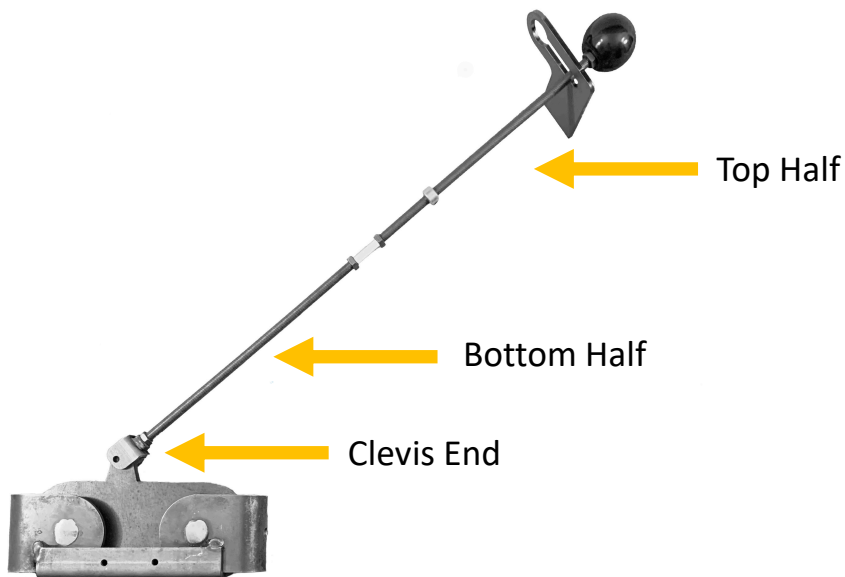


Manual actuator should be installed at a 38 degree angle.

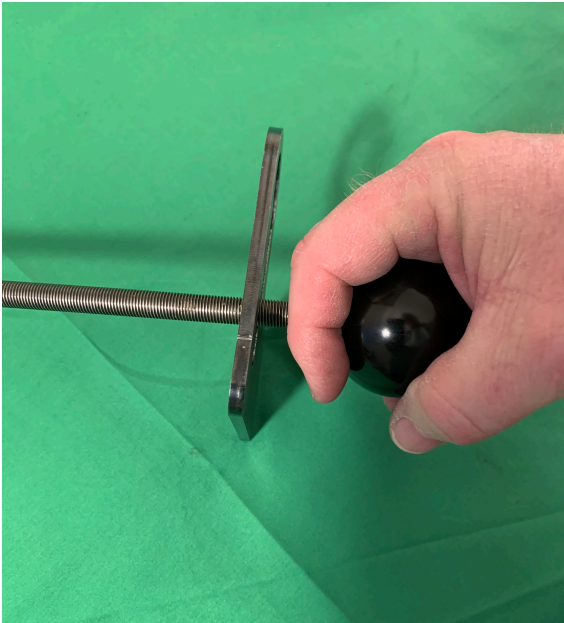
Electronic Actuator should be installed at about a 30-degree angle.



Install manual actuator mounting bracket before the electronic mounting bracket. Insert top part of handle through mounting bracket, screw bottom half of actuator on and tighten to jam nut. Attach Clevis end to JAC-LOC.



Position manual actuator mounting bracket so there is plenty of space for fingers to go around knob. Key hole goes up.



Picture of manual actuator mounting bracket welded to gate.

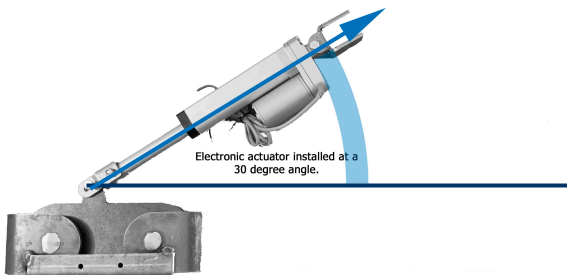




Electronic actuator fixed mounting bracket will be placed below manual actuator.



The actuator coupling comes with a slot that goes to the hook. In the fully closed position, the pin must be in the center of the slot.



Electronic Actuator should be installed at about a 30-degree angle.



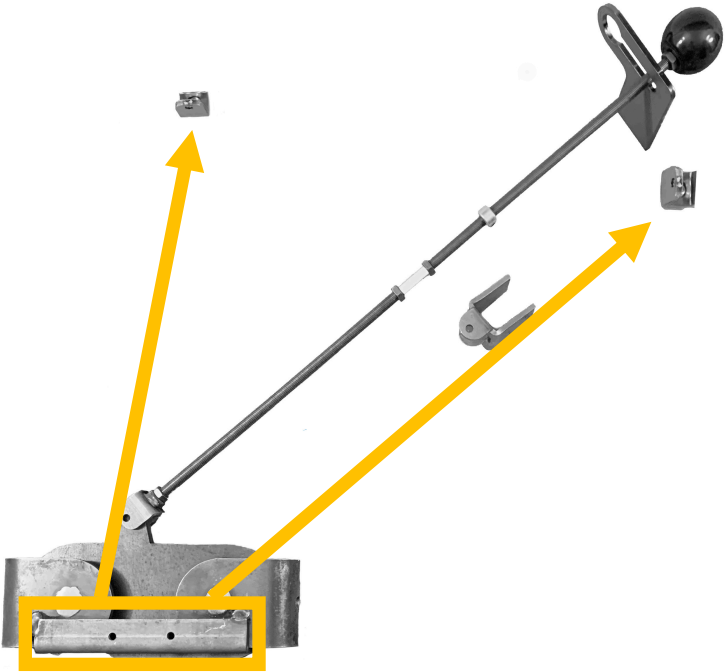
The top bracket should be positioned as shown.



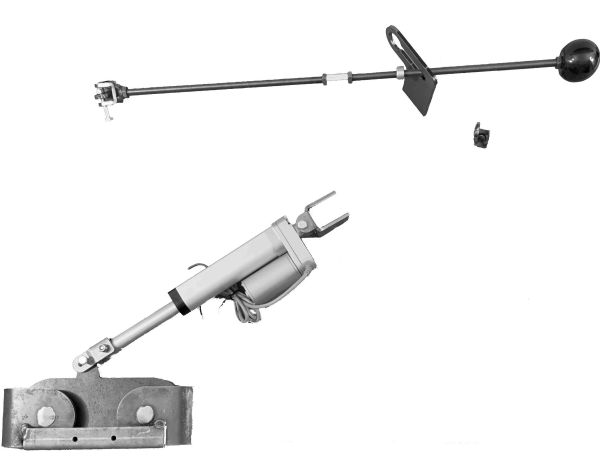
Weld both sides with ¼" fillet weld.

All parts should have a little slack and be free to move in the fully closed position. JAC-LOC should not be in a bind when properly installed.

Remove temporary mounting bracket. Cut in half to make hanging brackets. Install as shown.



Electronic Engaged



Manual Engaged





WIRING THE ELECTRONIC ACTUATOR

All wiring should be done by a qualified electrician.

Switch and electronic wiring NOT included in purchase of the JAC-LOC.

It is recommended that JAC-LOC wiring to be run separate from other equipment such as automatic tarps.

Switch to activate the electronic actuator can be installed on the side of the trailer or in the cab of the truck.

Electronic actuator is designed to automatically shut off when the actuator is fully extended or fully closed.

SAFETY LABEL APPLICATION

Paint JAC-LOC as desired. Allow paint to dry well before applying safety labels.


Apply labels as shown in pictures below.

These labels should go on the JAC-LOC.




This label should go on the trailer just above the actuators.



	Warning
<p>Close JAC-LOC before loading trailer. Do not open gates with lock closed. Open JAC-LOC before opening gates. Stand Clear of the Gates</p>	

This label should go on the trailer above the JAC-LOC.



	Warning
<p>If you cannot open JAC-LOC: Make sure gates have been switched to the closed position. Remove any debris using tools, never put fingers in JAC-LOC. Retry opening JAC-LOC, if it still does not open... Get assistance from another person. If using Electronic actuator, remove Electronic actuator. Install Manual actuator. Tap up on bottom of hook with a hammer while your assistant pulls on the Manual actuator. Always use actuators provided to actuate device.</p>	

OPERATING INSTRUCTIONS:

JAC-LOC has been field-tested and will keep gates in the closed position when loaded.

Use caution if testing JAC-LOC when no load is on gates.

If you forget to open JAC-LOC before engaging air cylinders, your load will not dump, and you may cause damage to the electronic actuator.

If air cylinders were engaged with JAC-LOC closed, close gates completely before trying to open JAC-LOC again.

For Manual Operation:

- To open, pull on knob and guide the set collar through the keyhole so set collar is on outside of the fixed bracket.
- To lock in closed position, first ensure gates are completely closed. Lift knob up and guide set collar down through the fixed bracket until the lock is completely closed.

For Electronic Operation:

- To open, flip switch to open position. Visually confirm that the lock is open.
- To lock in closed position, first ensure gates are completely closed. Flip switch to closed position. Visually confirm that the lock is closed.

If you cannot open JAC-LOC:

- Make sure gates have been switched to the closed position.
- Remove any debris using tools, never put fingers in JAC-LOC.
- Retry opening JAC-LOC, If it still does not open...
- Get assistance from another person.
- If using electronic actuator, remove electronic actuator.
- Install manual actuator.
- Tap up on bottom of hook with a hammer while your assistant pulls on the manual actuator.
- Always use actuators provided to actuate device.

Maintenance:

There is minimal maintenance required for your JAC-LOC.

There is no lubrication required.

Periodically visually inspect for debris or substances that would impede the movement of the hook and remove as needed.

If your electronic actuator fails, you can purchase a replacement from JAC-LOC or another provider on the internet.

TERMS AND CONDITIONS

The purchase of a JAC-LOC™ Belly Dump Locking System (the “Product”) from Jacloc, L.L.C. (“Jacloc”) constitutes a contract between you, the buyer, and Jacloc, the seller. By purchasing a Product, you are entering into a contract (“Contract”) and you agree to all the following terms and conditions. If you do not agree with all of the following Terms and Conditions, you have the option not to purchase the Product.

WARRANTY DISCLAIMER

THE PRODUCT IS SOLD ON AN “AS IS, WHERE IS” BASIS. JACLOC MAKES NO WARRANTY OF THE PRODUCT WHATSOEVER, WHETHER EXPRESS, IMPLIED OR STATUTORY, AND EXPRESSLY DISCLAIMS ANY REPRESENTATIONS AND WARRANTIES, INCLUDING WITHOUT LIMITATION, ANY IMPLIED WARRANTIES OF MERCHANTABILITY OR FITNESS FOR A PARTICULAR PURPOSE. STATEMENTS OR DESCRIPTIONS CONCERNING THE PRODUCT APPEARING ON JACLOC’S WEB SITE OR IN ANY PRODUCT MARKETING MATERIALS ARE INFORMATIONAL ONLY AND ARE NOT MADE OR GIVEN AS A WARRANTY OF THE PRODUCT IN ANY WAY.

Manufacturer’s Warranty / Exclusive Remedy

ANY RIGHTS THAT ARE PROVIDED UNDER A MANUFACTURER’S WARRANTY OF THE PRODUCT, IF ANY, ARE THE OBLIGATION OF THE MANUFACTURER AND SHALL BE THE EXCLUSIVE REMEDY FOR A DEFECTIVE PRODUCT.

Product Installation

YOU AGREE THAT (1) YOU HAVE ORDERED A PACKAGED PRODUCT ONLY, (2) YOU ASSUME FULL RESPONSIBILITY FOR INSTALLATION OF THE PRODUCT, AND (3) JACLOC HAS NO RESPONSIBILITY FOR SUCH INSTALLATION.

Limitation of Damages

JACLOC SHALL NOT BE LIABLE UNDER ANY CONTRACT, NEGLIGENCE, STRICT LIABILITY OR OTHER LEGAL OR EQUITABLE THEORY FOR ANY DIRECT, INDIRECT, INCIDENTAL, SPECIAL, EXEMPLARY OR CONSEQUENTIAL DAMAGES FOR BREACH OF ANY EXPRESS OR IMPLIED WARRANTY ON THE PRODUCT OR ARISING IN ANY WAY OUT OF THE INSTALLATION, USE OR INABILITY TO USE, OR FOR ANY MALFUNCTION OF THE PRODUCT.

WITH REGARD TO THE SALE OF THE PRODUCT IN STATES THAT DO NOT HONOR WARRANTY DISCLAIMER, UNDER NO CIRCUMSTANCES SHALL JACLOC’S LIABILITY, IF ANY, EXCEED THE PURCHASE PRICE PAID FOR THE PRODUCT.

General Terms

Jacloc is located in Aubrey, Texas, USA, and by doing business with us you agree that this offer of Product is made from Aubrey, Texas, USA. The Contract shall be governed by and construed in accordance with the laws of the State of Texas and the USA, notwithstanding any principles of conflict of law. You agree to submit to the jurisdiction of the courts of the State of Texas and any legal action between you and Jacloc shall be within the exclusive jurisdiction and venue of the courts of Denton County in the State of Texas, USA.